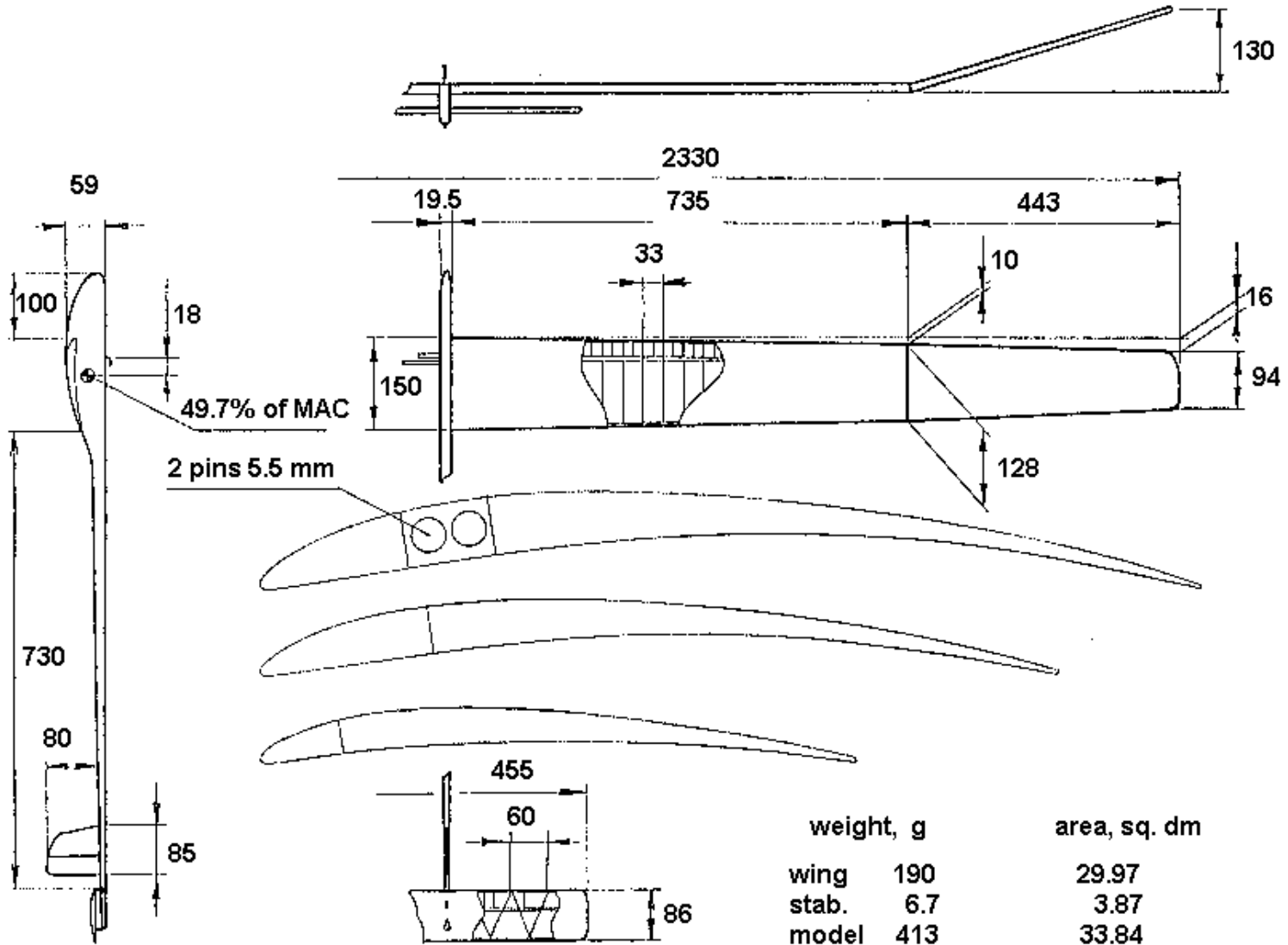
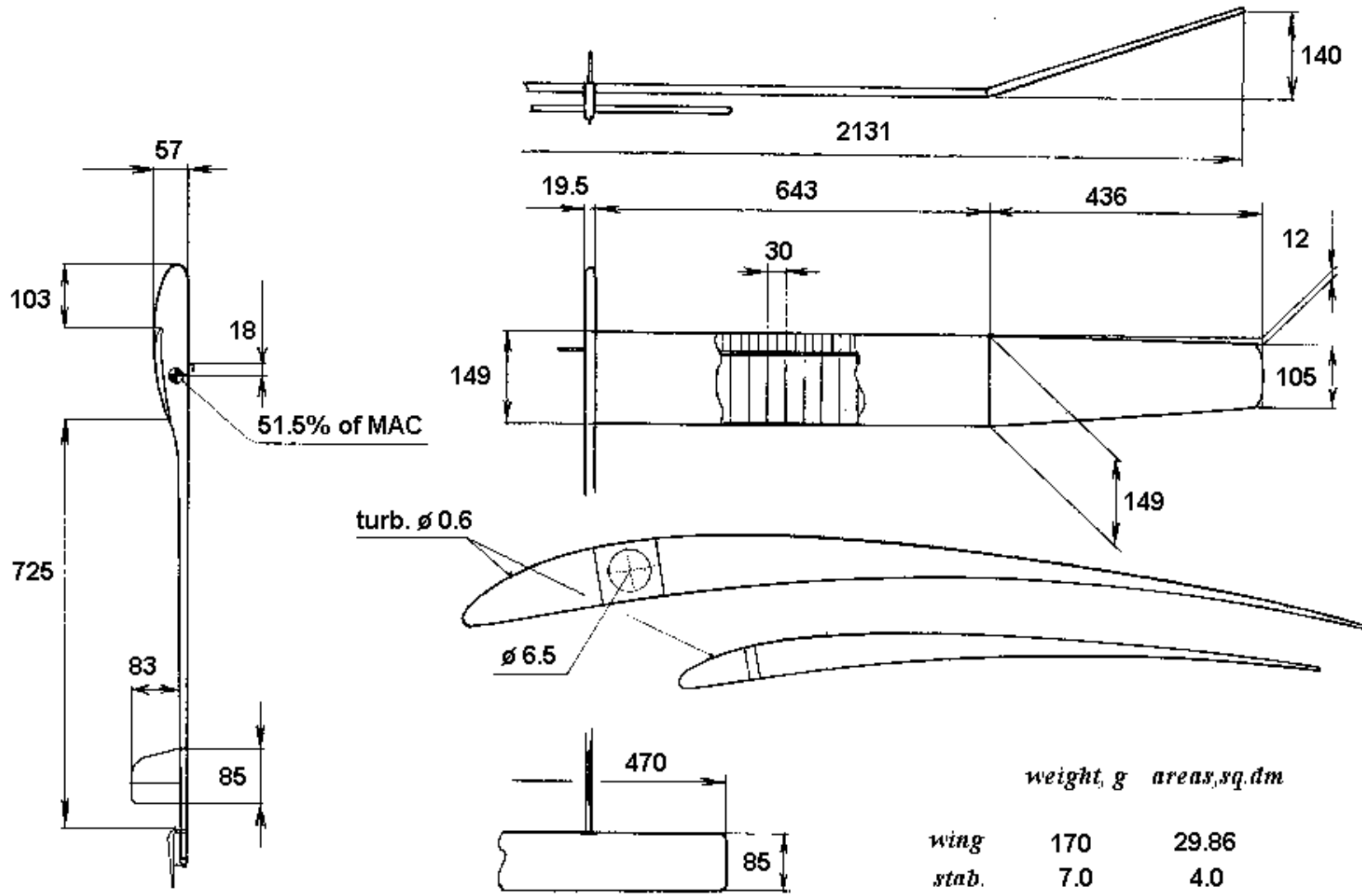


"long" M&K model 1999



M&K "short" bunt model 2002



| | weight, g | areas, sq. dm |
|-------|-----------|---------------|
| wing | 170 | 29.86 |
| stab. | 7.0 | 4.0 |
| model | 412 | 33.86 |